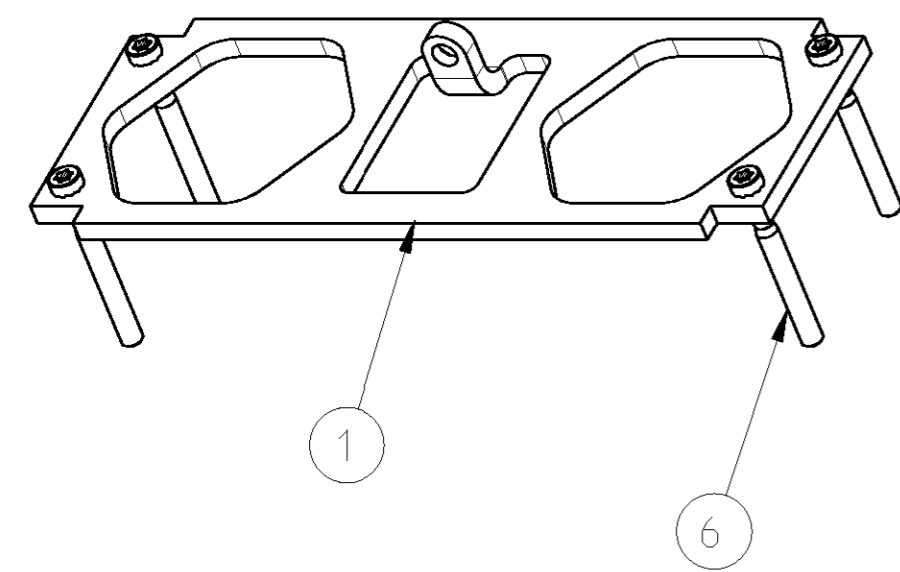


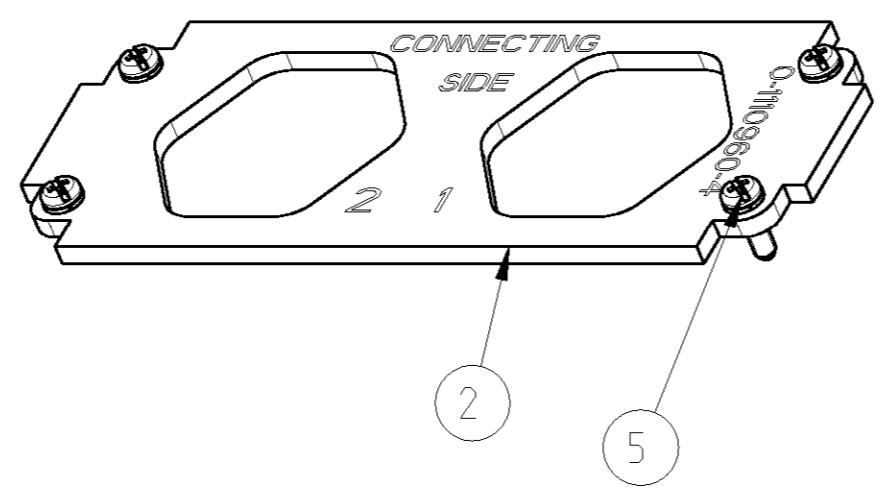
THIS DRAWING IS UNPUBLISHED. RELEASED FOR PUBLICATION 2006
 © COPYRIGHT 2006 BY TYCO ELECTRONICS CORPORATION. ALL RIGHTS RESERVED.

LOC	DIST	REVISIONS					
A1	-	P	LTR	DESCRIPTION	DATE	DWN	APVD
		B2		PACKAGING CHANGED ECR-07-018767	13AUG2007	JS	BR

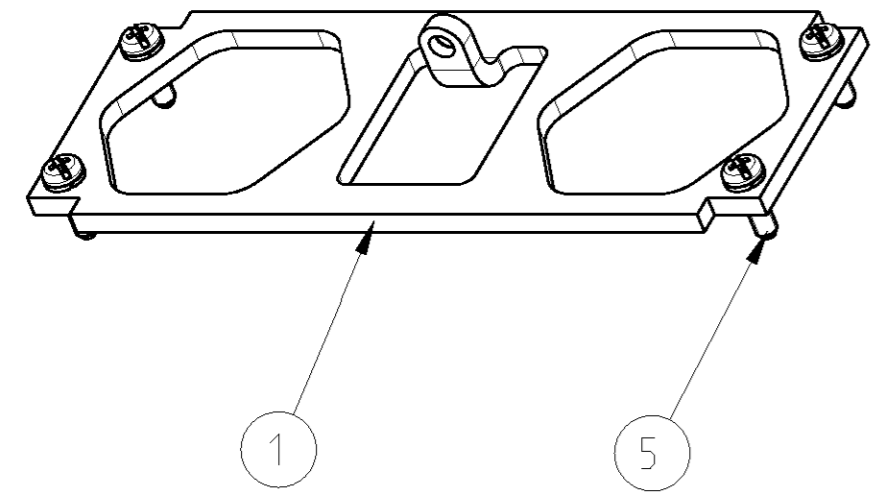
PN 0-1



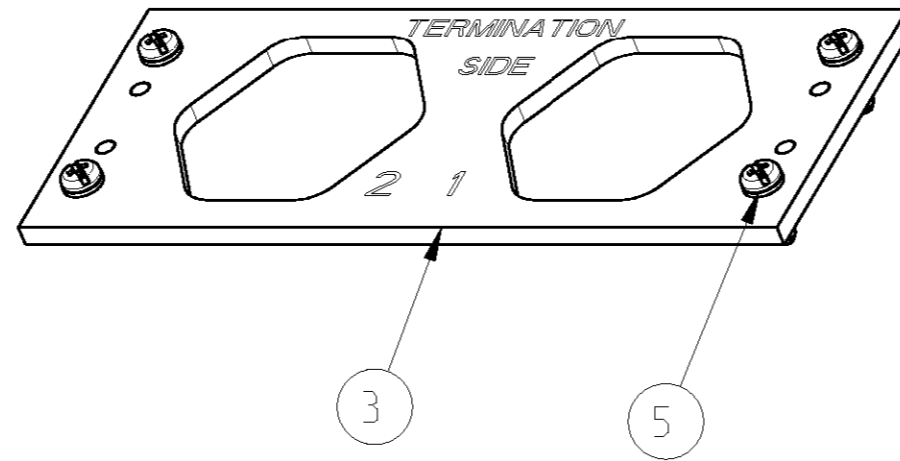
PN 0-4



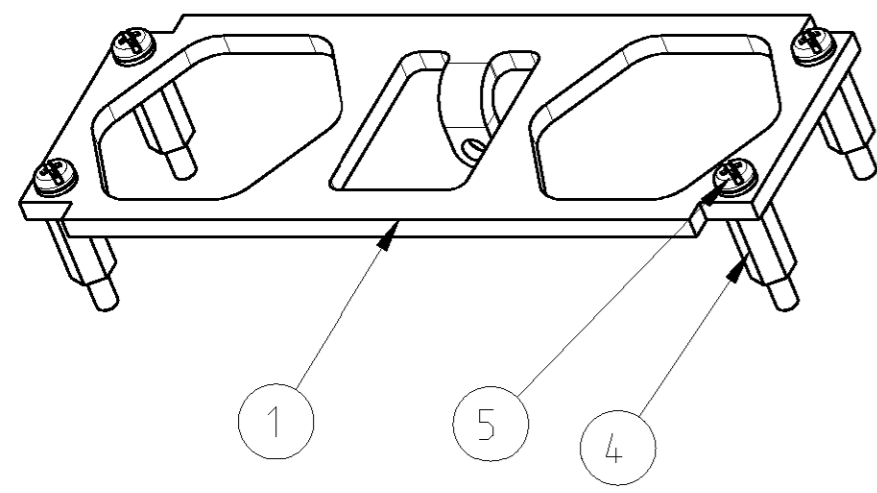
PN 0-2



PN 0-5



PN 0-3



Notes

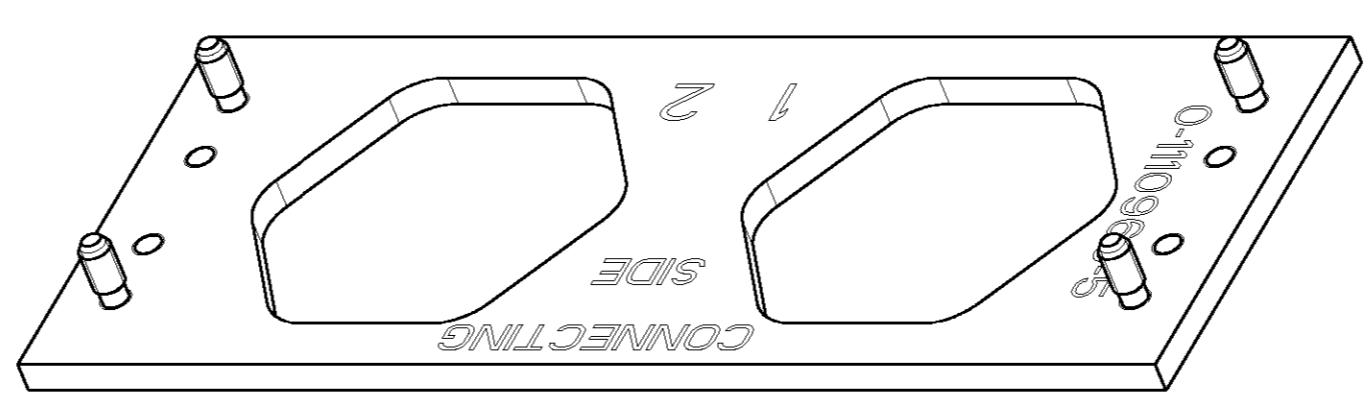
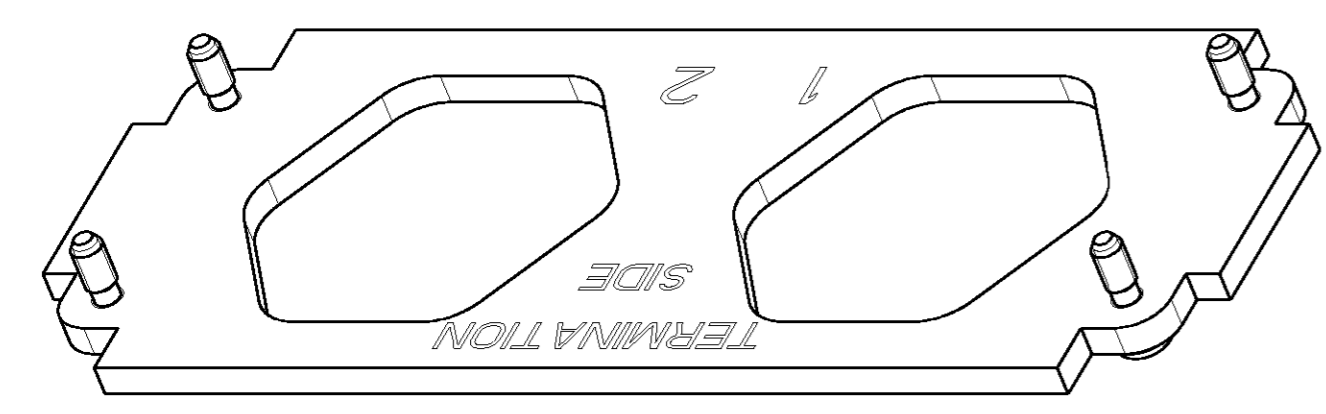
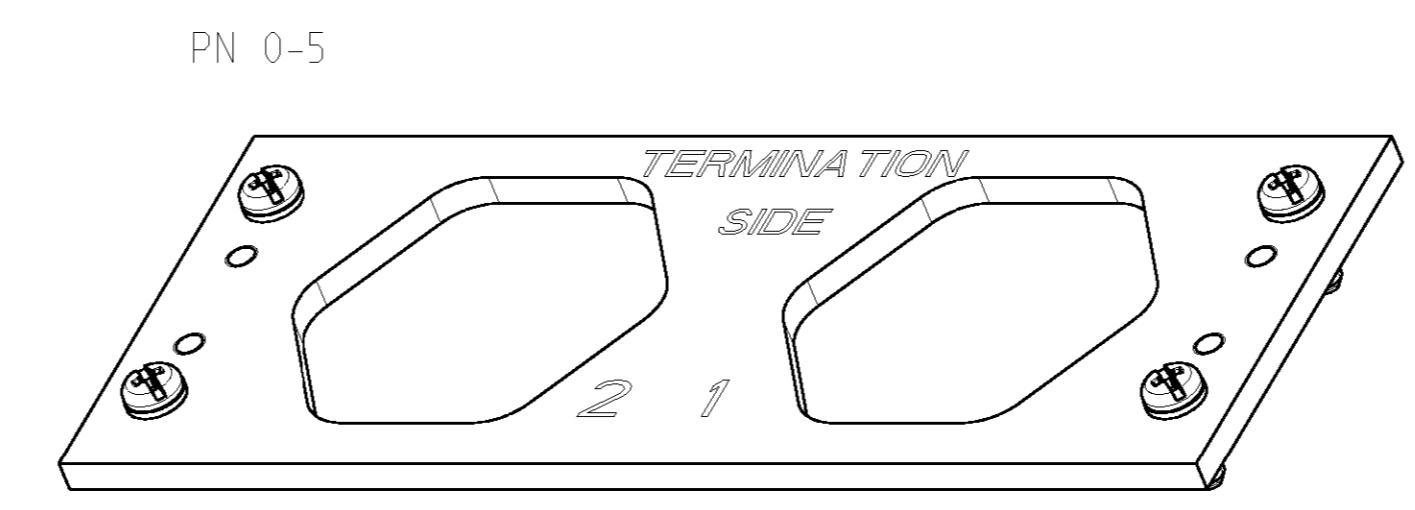
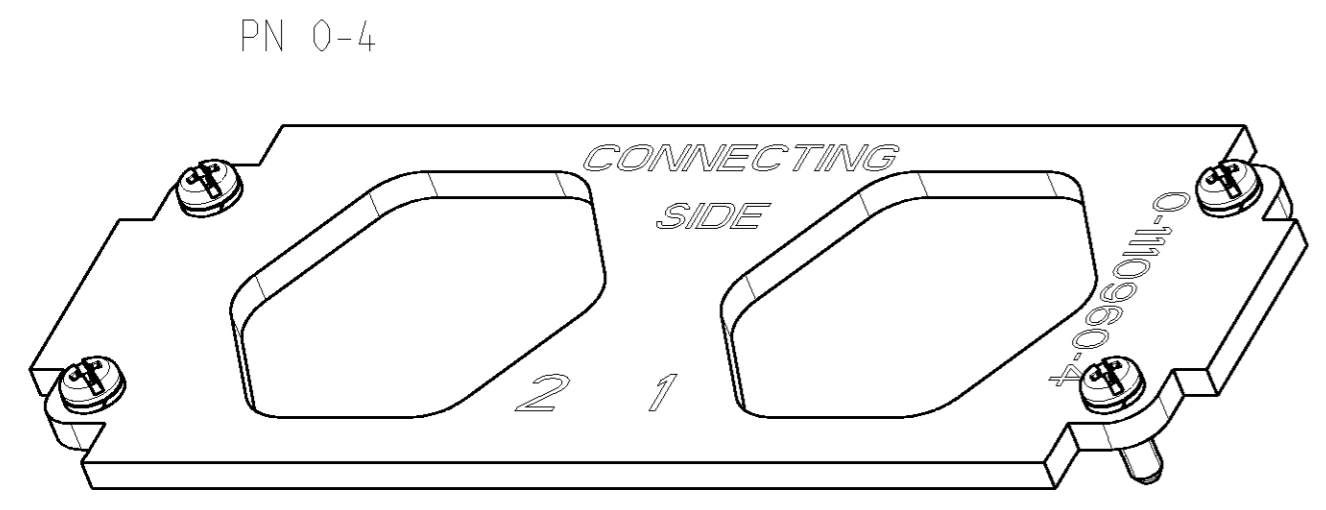
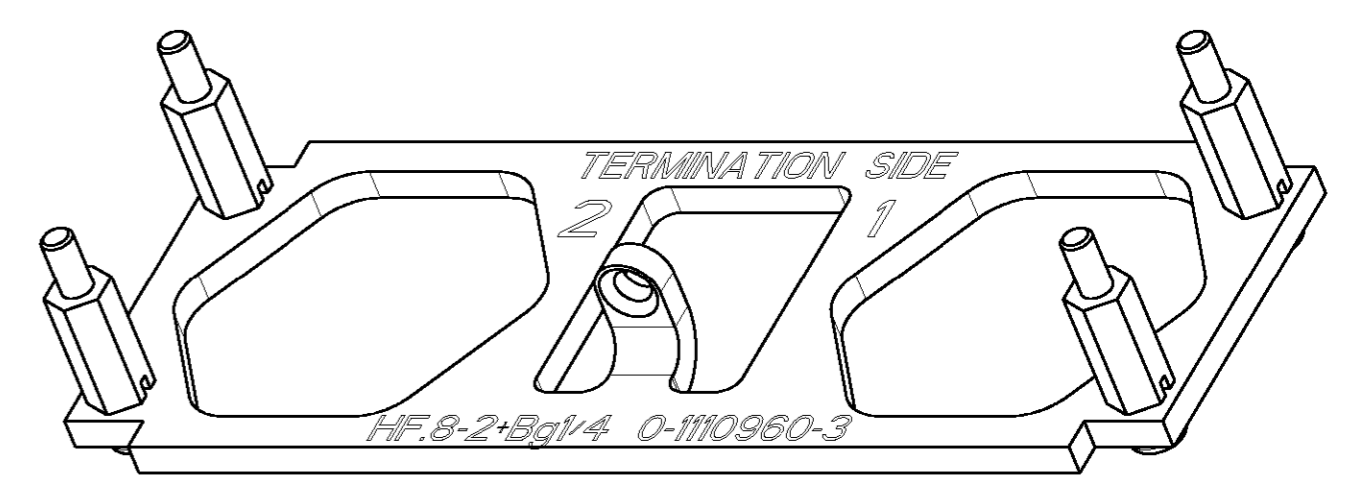
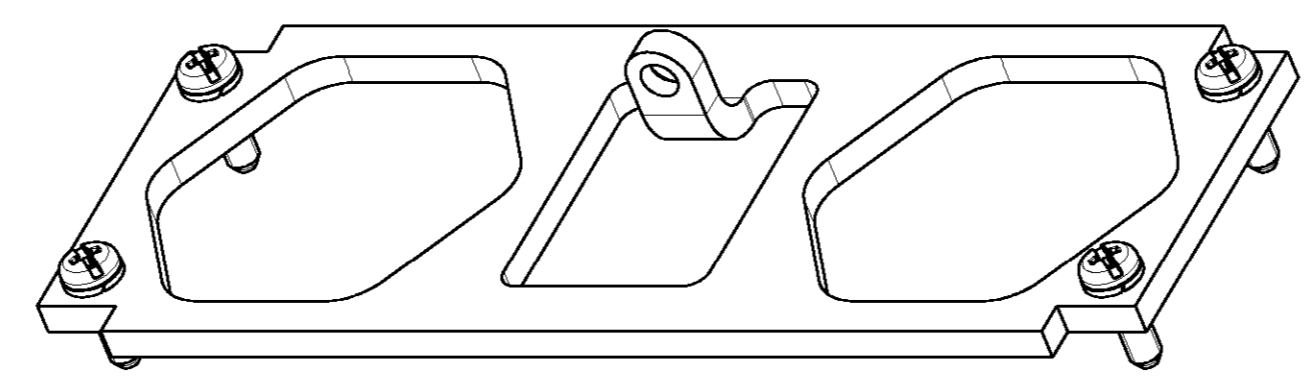
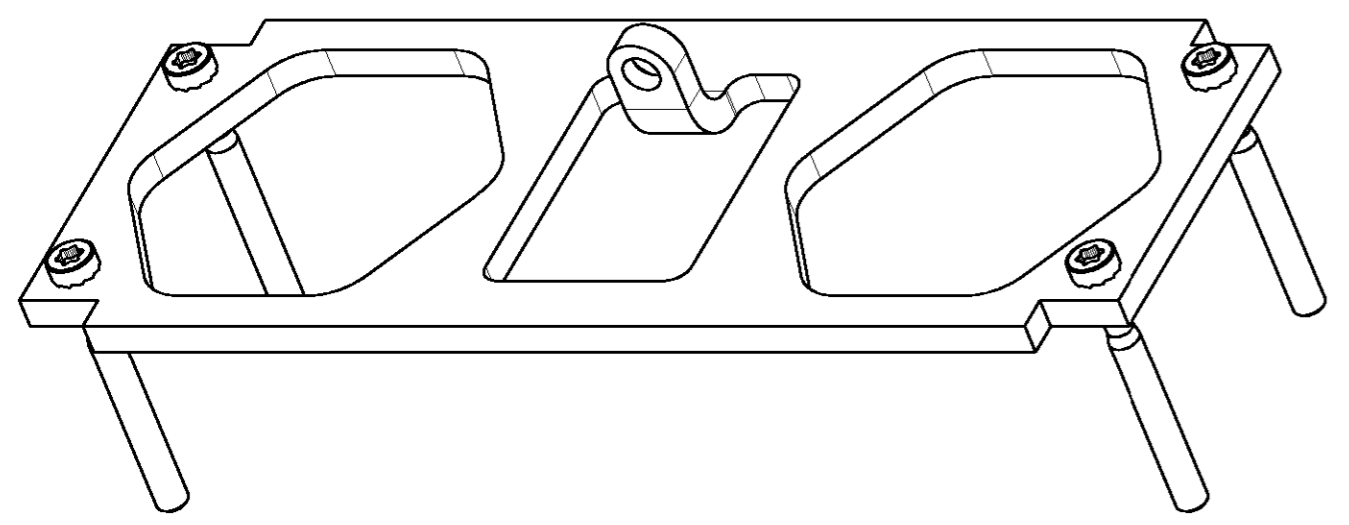
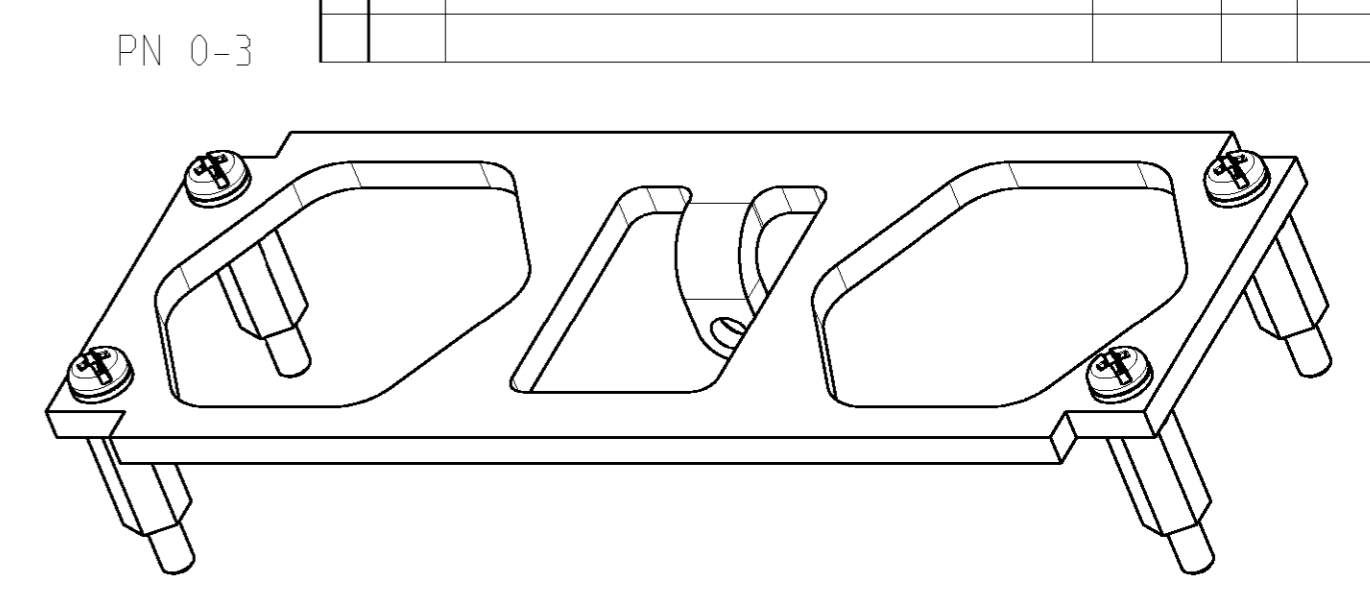
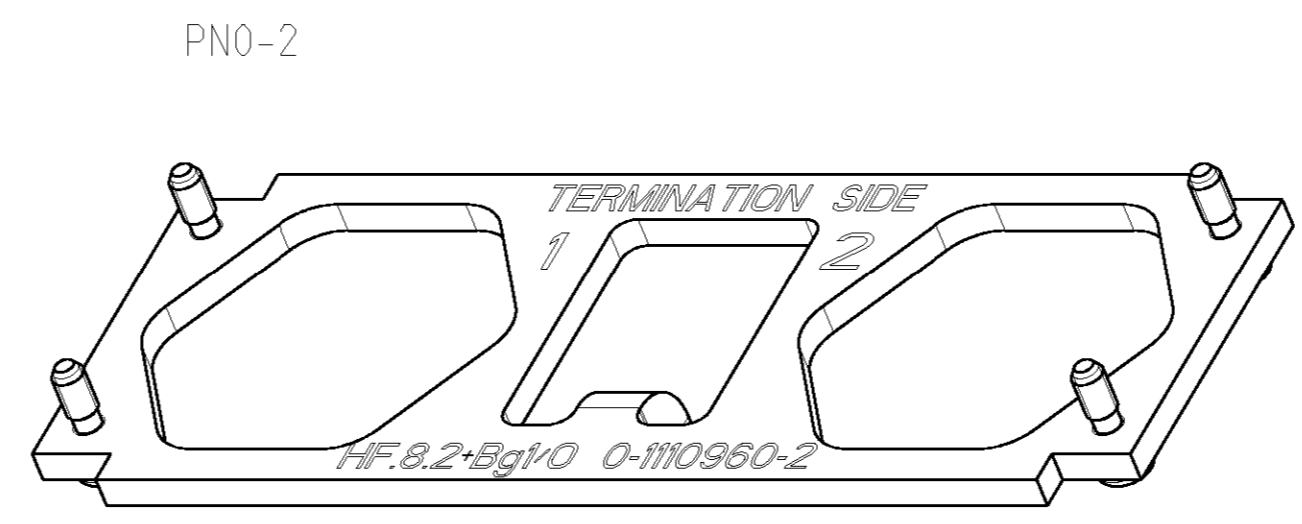
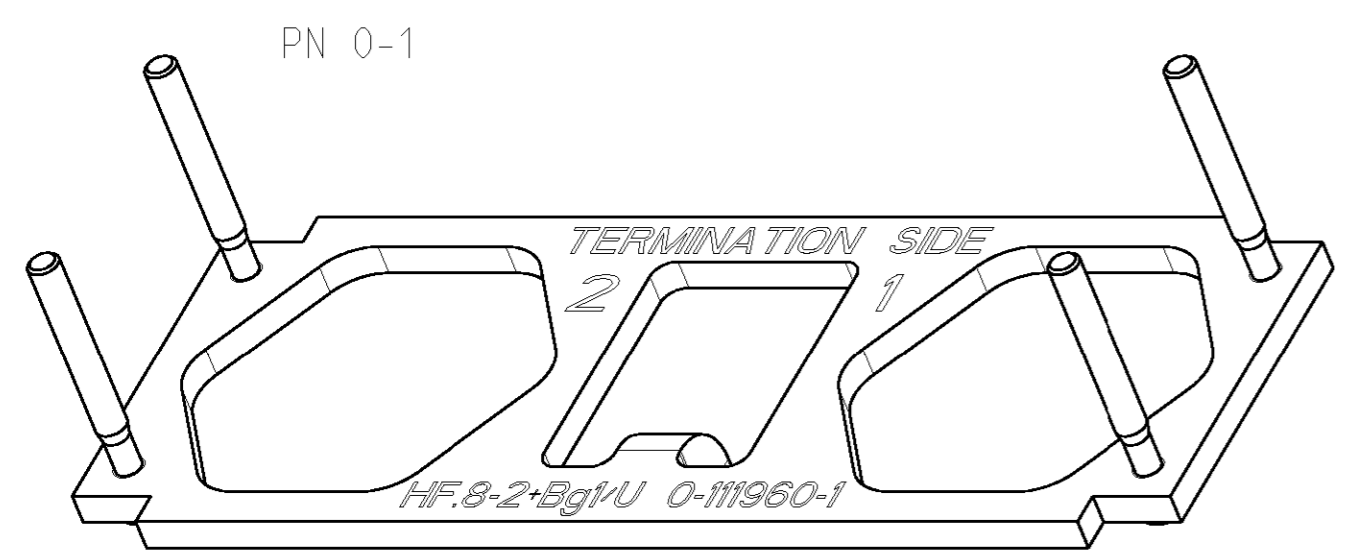
- 1 WEIGHT:0.112 kg (APROX.)
- 2 PACKAGING: 5 PIECES IN A CARDBOARD BOX
- 3 SCREWS PACKED LOOSE IN A POLY BAG (ONLY PN 0-4 and 0-5)
- 4 LABELING SEE PAGE 2

QTY	DESCRIPTION	MATERIAL	SURFACE	NOTE	ITEM
4	SCREW	STAINL.STEEL	-	M3x27 SELFLOCKING	6
4	FIXING SCREW	V2A	blank	M3x10.5	5
4	DISTANCE BOLT	STEEL	ZINC PLATED	M3x18/12	4
1	FIXING PLATE	STEEL	ZINC PLATED	2 POS. HF13, SPECIAL VERS. Ag	3
1	FIXING PLATE	STEEL	ZINC PLATED	2 POS. HF13, SPECIAL VERS. St	2
1	FIXING PLATE	STEEL	ZINC PLATED	2 POS. HF13 +1xBq1	1

THIS DRAWING IS A CONTROLLED DOCUMENT FOR TYCO ELECTRONICS CORPORATION IT IS SUBJECT TO CHANGE AND THE CONTROLLING ENGINEERING ORGANIZATION SHOULD BE CONTACTED FOR THE LATEST REVISION.		DWN J.STOECKER 28FEB2007 CHK H.BRAUN 28FEB2007 APVD T.SCHNURPFEL 28FEB2007	tyco Electronics tyco Electronics AMP GmbH 53819 Neunkirchen (Germany)
DIMENSIONS: mm 	TOLERANCES UNLESS OTHERWISE SPECIFIED: 0 PLC ±- 1 PLC ±- 2 PLC ±- 3 PLC ±- 4 PLC ±- ANGLES ±1° FINISH	NAME PRODUCT SPEC APPLICATION SPEC WEIGHT	NAME FIXING PLATE SERIES HF, SIZE 8 SIZE CAGE CODE DRAWING NO RESTRICTED TO A2 00779 C-1110960 - SCALE 1:1 SHEET 1 OF 2 REV B2

THIS DRAWING IS UNPUBLISHED. RELEASED FOR PUBLICATION 2006
 © COPYRIGHT 2006 BY TYCO ELECTRONICS CORPORATION. ALL RIGHTS RESERVED.

LOC	DIST	REVISIONS					
A1	-	P	LTR	DESCRIPTION	DATE	DWN	APVD
		-		SEE SHEET 1	-	-	-



NOTES SEE PAGE 1

THIS DRAWING IS A CONTROLLED DOCUMENT FOR TYCO ELECTRONICS CORPORATION IT IS SUBJECT TO CHANGE AND THE CONTROLLING ENGINEERING ORGANIZATION SHOULD BE CONTACTED FOR THE LATEST REVISION.		DWN J.STOECKER 28FEB2007 CHK H.BRAUN 28FEB2007 APVD T.SCHNURPFEL 28FEB2007	tyco Electronics	tyco Electronics AMP GmbH 53819 Neunkirchen (Germany)
DIMENSIONS: mm		PRODUCT SPEC APPLICATION SPEC WEIGHT	NAME FIXING PLATE SERIES HF, SIZE 8	
TOLERANCES UNLESS OTHERWISE SPECIFIED: 0 PLC ±- 1 PLC ±- 2 PLC ±- 3 PLC ±- 4 PLC ±- ANGLES ±1° FINISH		MATERIAL	SIZE A2 CAGE CODE 00779 DRAWING NO. C-1110960	RESTRICTED TO -
		SCALE 1:1	SHEET 2 OF 2	REV B2